



# SJ6832 RTE

## ELECTRIC ROUGH TERRAIN SCISSORS

### STANDARD FEATURES

- Crossover symmetrical 4WD
- Drivable at full height with roll out deck fully extended
- 1.52 m roll out extension deck
- 12kW AC electric motor with motor controller
- 48V 250Ah battery pack
- Low voltage battery protection
- Multiple wet disc spring applied, hydraulic release (SAHR) brakes
- AC outlet on platform
- 45% Gradeability
- Standard foam filled grip lug non-marking tyres
- Tilt alarm with drive & lift cut-out
- Lanyard attachment points
- All motion audible alarm
- Operator horn
- Flashing Light
- Hinged railing system
- Forklift pockets and tie down/lift lugs
- Full height spring-hinged gate at rear of unit
- Relay based control system
- Colour coded and numbered wiring

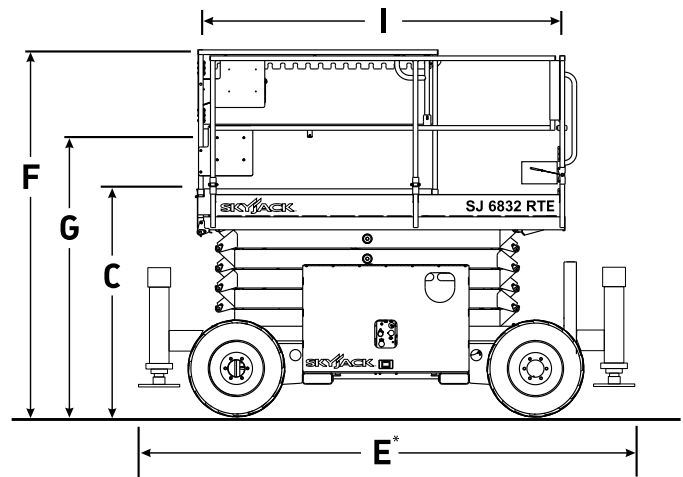
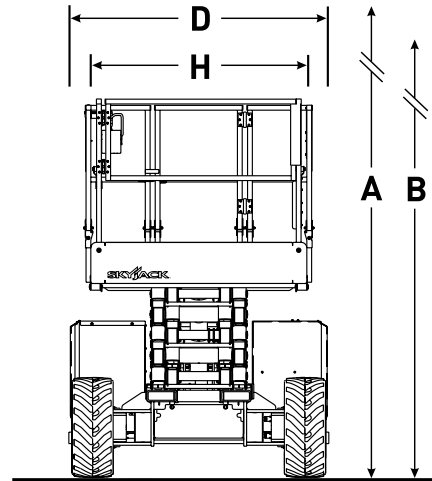
### ACCESSORIES AND OPTIONS

- Independent/auto leveling outriggers
- Hybrid Power Pack (2.2kW Genset)
- High Capacity AGM Batteries (330 Ah)

\* Capacities, and machine weights may differ when options are added

# SJ6832 RTE ELECTRIC ROUGH TERRAIN SCISSORS

Dimensions	SJ6832 RTE
<b>A</b> Work Height	11.75 m
<b>B</b> Raised Platform Height	9.75 m
<b>C</b> Lowered Platform Height	1.37 m
<b>D</b> Overall Width	1.72 m
<b>E</b> Overall Length	2.72 m (*3.35 m)
<b>F</b> Stowed Height (Rails Up)	2.51 m
<b>G</b> Stowed Height (Rails Down)	1.75 m
<b>H</b> Platform Width (Inside Dimension)	1.42 m
<b>I</b> Platform Length (Inside Dimension)	2.44 m
Specifications	SJ6832 RTE
Extension Deck	1.52 m
Ground Clearance	0.20 m
Wheelbase	2.04 m
Weight	4,026 kg
Gradeability	45%
Turning Radius (Inside)	1.52 m
Turning Radius (Outside)	3.96 m
Lift Time (With Rated Load)	39 sec
Drive Speed (Stowed)	5.6 km/h
Drive Speed (Raised)	0.6 km/h
Maximum Drive Height	Full Height
Capacity (Overall)	454 kg
Maximum # of Persons (0 wind rating)	4
Maximum # of Persons (12.5 m/sec wind rating)	2



**Skyjack Australia Pty Ltd**  
 4 Coates Place  
 Wetherill Park  
 New South Wales, 2164  
 Tel: +61 (0) 2878 63200  
 Fax: +61 (0) 2878 63222  
 Email: jcranmer@skyjack.com

[www.skyjack.com](http://www.skyjack.com)

This brochure is for illustrative purpose only and based on the latest information at the time of printing. Skyjack Inc. reserves the right to make changes at any time, without notice, to specifications, standard and optional equipment. Consult the Operating Maintenance and Parts Manuals for proper procedures. AS marked platforms are in conformance to Standard AS/NZS 1418.10:2011.