

LRT SERIES

ROUGH TERRAIN SCISSOR LIFTS



Performance

Platform Height – Elevated	
330LRT	10.06 m
430LRT	13.11 m
530LRT	16.2 m
Capacity with Dual Extensions	
330LRT	905 kg
430LRT	565 kg
530LRT	680 kg
Capacity on Platform Extension	225 kg
Lift/Lower Time	
330LRT	35/37 sec.
430LRT	45/47 sec.
530LRT	59/55 sec.
Maximum Drive Height	
330LRT/430LRT	Full Height
530LRT	9.75 m
Weight with Dual Extension	
330LRT	6,250 kg
430LRT	6,800 kg
530LRT	8,100 kg
Drive Speed – Lowered	5.6 km/h
Drive Speed – Raised	0.8 km/h
Gradeability	
330LRT/430LRT	45%
530LRT	40%
Turning Radius (inside)	
330LRT/430LRT	2.71 m
530LRT	2.72 m
Turning Radius (outside)	
330LRT/430LRT	5.93 m
530LRT	5.92 m

Standard Specifications

Engine

Diesel Engine	Kubota D1305 T4i 21.7 kW
Fuel Tank Capacity	83.3 L

Tyres

Standard	
330LRT/430LRT/530LRT	12 x 16.5 Foam Filled, Non-Marking

Hydraulic System

Capacity	121.42 L
----------	----------



Standard Features

- 4-Wheel Drive
- Automatic Transmission
- 3-Speed Drive Select
- Proportional Drive/Lift Up/Lift Down
- Oscillating Axle
- Leveling Jacks (outriggers)
- Dual Extension Deck
- Flashing Amber Beacon
- Self-Closing, Self-Locking Entry Gates
- Adjustable, Removable Platform Control Station
- Fold-Down Handrails
- Horn
- Tilt Light and Alarm

Accessories & Options

- AC Outlet to Platform, Including ELCB
- Wheel Chocks
- Squawker/White Noise Motion Alarm
- Platform Worklights
- Pipe Rack Accessory
- 5.5k VA Generator
- Flood Lights
- 12.7 mm Air Line to Platform
- Fire Extinguisher
- Battery Isolator

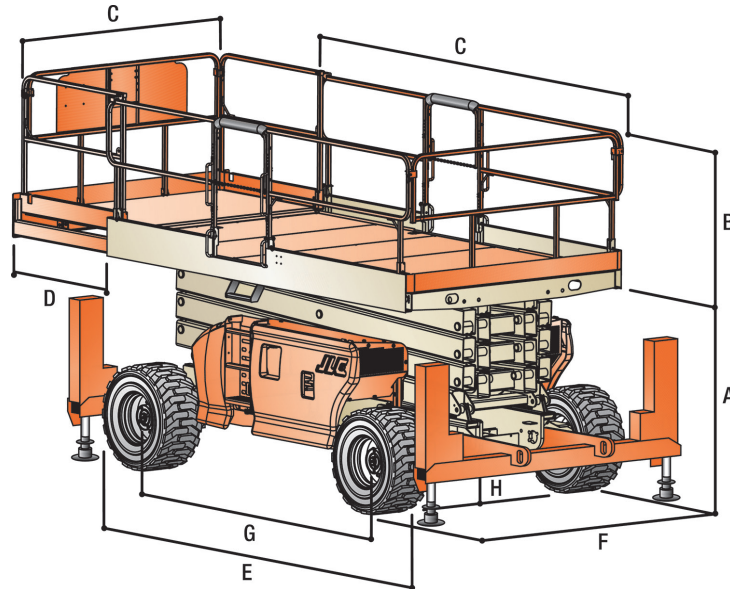
LRT SERIES

ROUGH TERRAIN SCISSOR LIFTS

JLG
reachingout®

Dimensions

All dimensions are approximate.



Platform Height – Elevated

330LRT	10.06 m
430LRT	13.11 m
530LRT	16.2 m

A. Platform Height – Lowered

330LRT	1.62 m
430LRT	1.84 m
530LRT	2.13 m

B. Platform Railing Height

330LRT/430LRT	1.1 m
530LRT	0.94 m

A+B Overall Height

330LRT	
- Rails Up	2.77 m
- Rails Folded	1.85 m
430LRT	
- Rails Up	2.89 m
- Rails Folded	2.08 m
530 LRT	
- Rails Up	3.18 m
- Rails Folded	2.38 m

C. Platform Size

330LRT/430LRT	2.00 m x 3.92 m
530LRT	1.87 m x 3.96 m

D. Platform Extensions

1.22 m (each end)

E. Minimum Transport Length

330LRT/430LRT/530LRT	4.88 m
----------------------	--------

F. Overall Width

330LRT/430LRT/530LRT	2.31 m
----------------------	--------

G. Wheelbase

2.97 m

H. Ground Clearance

330LRT/430LRT	34.5 cm
530LRT	30 cm

JLG

JLG Industries, Inc. (Australia)

358 Park Road
Regents Park, NSW 2143
Telephone 02 8718 6300
Fax 02 8718 6377

www.jlg.com.au

An Oshkosh Corporation Company

The JLG "1 & 5" Warranty

JLG Industries, Inc. backs its products with its exclusive "1 & 5" Warranty. We provide coverage on all products for one (1) full year and cover all specified major structural components for five (5) years. Due to continuous product improvements, we reserve the right to make specification and/or equipment changes without prior notification. This machine meets or exceeds AS/NZS 1418.10 2011 as originally manufactured for intended applications.