

SJ66 T+

TELESCOPIC BOOMS



STANDARD FEATURES

- EASYDRIVE™ Direction sensing drive and steer controls
- AXLDRIIVE™ Axle-based 4WD system
- Operator controlled locking rear differential and limited slip front differential
- Oscillating steer axle
- Drivable at full height
- 50% Gradeability
- Wet disc SAHR brakes (front and rear axle)
- Dual module control system with SKYCODED™ colour coded and numbered wiring
- Deutz D2011L04i diesel engine
- ECOSTART anti-engine idle
- Swing out engine tray
- Swing up cowlings for easy access
- Lockable power disconnect switch
- 7.5 kW Generator (includes hydraulic oil cooler)
- Flashing light
- Proportional controls
- 300 / 454 kg Dual capacity
- 0.91 x 2.44 m Platform
- Bolt-in platform railing system
- Lanyard attachment points
- Tri-entry sliding mid rails
- Secondary Guarding Electrical (SGE)
- Overload sensing system
- Wiring for AC outlet on platform
- Tilt alarm (5.0° x 5.0°) with drive and lift cut-out
- Single point emergency lowering
- Hourmeter
- Operator horn
- All motion audible alarm
- 360° Continuous turret rotation
- Tie down / lifting lugs
- 385/65D19.5 Grip lug foam-filled non-marking tyres

OPTIONS

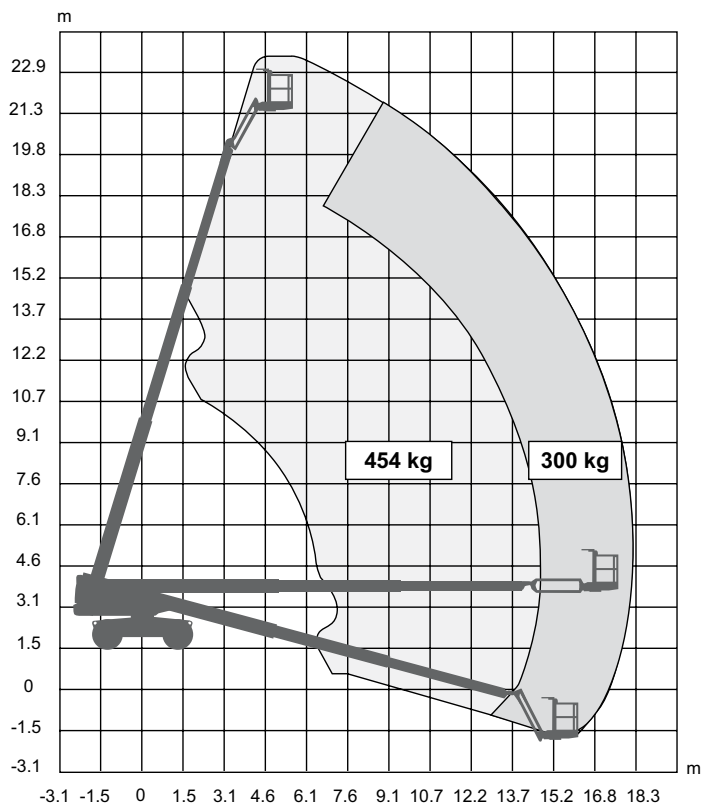
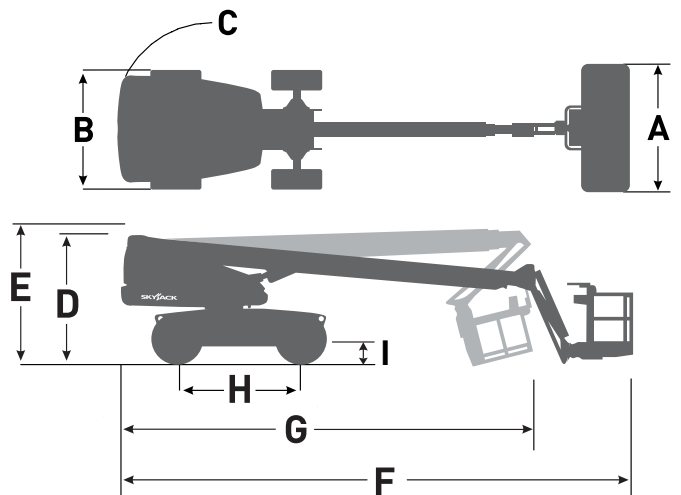
- Glazier kit
- Pipe rack
- Tool caddy
- 0.91 x 1.83 m Platform
- Rear spring hinged entry gate
- Half height mesh platform (either size)
- Auxiliary top rail (0.91 x 2.44 m platform only)
- Diesel scrubber
- Bio oil
- Control box cover
- ELEVATE telematics

† Standard lead times may be increased when optional equipment is added, consult factory.
‡ Capacities and machine weights may differ when options are added.

SJ66 T+ TELESCOPIC BOOMS

Dimensions	SJ66 T+
Work Height	22.19 m
Platform Height	20.19 m
Horizontal Reach	17.38 m
A Platform Size	0.91 x 2.44 m
B Stowed Width	2.44 m
C Tailswing	1.33 m
D Stowed Height	2.59 m
E Transportation Height	3.30 m
F Stowed Length	10.40 m
G Transportation Length	8.13 m
H Wheelbase	2.44 m
I Ground Clearance	0.41 m
Specifications	SJ66 T+

Rotation	360° Continuous
Platform Rotation	170°
Jib Length	1.52 m
Jib Range +/-	+65° / -60°
Weight	12,585 kg
Gradeability	50%
Turning Radius (Inside)	1.93 m
Turning Radius (Outside)	5.05 m
Axle Oscillation	8.89 cm
Drive Speed (High speed)	7.2 km/h
Capacity	300 / 454 kg
Local Floor Load (With Rated Load)	17.44 kg/sq cm
Overall Floor Load (With Rated Load)	1,558 kg/sq m
Maximum Wind Rating	12.5 m/s
Personnel Rating at Max Wind Rating	2 / 3
Tyre Type	Foam-Filled, NM
Tyre Size	385/65D19.5
Diesel Engine	Deutz D2011L04i - 65 HP (48 KW)
Fuel Tank Capacity	170 L
Hydraulic Reservoir	227 L



SJ66 T+ WORKING ENVELOPE

Skyjack Australia Pty Ltd
 Unit 1, 35 Honeycomb Drive
 Eastern Creek
 NSW 2766
 Australia
 Phone +61 (0) 2 9854 0700
 Fax +61 (0) 2 9854 0777
 Email: jcranmer@skyjack.com

www.skyjack.com

SKYJACK
 simply reliable

This brochure is for illustrative purpose only and based on the latest information at the time of printing. Skyjack Inc. reserves the right to make changes at any time, without notice, to specifications, standard and optional equipment. Consult the Operating Maintenance and Parts Manuals for proper procedures. AS marked platforms are in conformance to Standard AS/NZS 1418.10:2011.