

LE SERIES

LARGE ELECTRIC SCISSOR LIFTS

JLG
reachingout®

Performance

| | |
|--------------------------------|-------------|
| Platform Height—Elevated | |
| 3369LE | 10.06 m |
| M3369LE | 10.06 m |
| 4069LE | 12.19 m |
| M4069LE | 12.19 m |
| Platform Capacity | |
| 3369LE | 450 kg |
| M3369LE | 450 kg |
| 4069LE | 360 kg |
| M4069LE | 360 kg |
| Capacity on Platform Extension | |
| | 120 kg |
| Lift/Lower Time | |
| 3369LE | 38/42 sec |
| M3369LE | 38/42 sec |
| 4069LE | 54/50 sec |
| M4069LE | 54/50 sec |
| Maximum Drive Height | |
| 3369LE | Full Height |
| M3369LE | Full Height |
| 4069LE | 9.14 m |
| M4069LE | Full Height |
| Weight* | |
| 3369LE | 4,600 kg |
| M3369LE | 5,250 kg |
| 4069LE | 5,300 kg |
| M4069LE | 5,700 kg |
| Drive Speed | |
| Elevated | 0.64 kmph |
| Lowered | 4.8 kmph |
| Gradeability | |
| 2WD (3369 LE, 4069LE) | 35% |
| 4WD (M3369LE, M4069LE) | 45% |
| Turning Radius | |
| Inside | 2.29 m |
| Outside | 4.90 m |

Standard Specifications

Tyres

- Standard 240/55-17.5 Foam-Filled Non-Marking Tyres

Brakes

- Spring Applied Hydraulically Released Discs

Power Source

| | |
|-------------------------------|-------------------------------|
| Batteries | 8 x 6V, 370 amp-hr |
| Charger | 20 Amp, Automatic SCR Charger |
| Electric Pump Motor | Series Wound |
| Drive Motors | Two 5.5 hp Shunt Wound |
| Generator Set (M models only) | |
| 45 Amp Kubota | 4.47 kW |
| Engine Fuel Tank Capacity | 15.14 L |

Hydraulic System

| | |
|----------|--------------------------|
| Capacity | 32.18 L |
| Pump | Single Section Gear Pump |



Standard Features

- 1.65 x 2.92 m Work Platform
- Full Time ATC—JLG Automatic Traction Control System
- Oscillating Axle
- Proportional Direct DC Electric Drive
- Proportional Lift Up
- 8 x 6V, 370 amp-hr Batteries
- 0.90 m Roll-Out Deck Extension
- On-Board Diagnostics with Common JLG Analyzer
- Fold-Down Hand Rails
- Moveable, Removable Platform Console Box
- 20 Amp Automatic, SCR Battery Charger
- Battery Charge Indicator in Platform
- 3 Degree Tilt Indicator Light and Alarm
- All Motion Alarm
- Manual Descent
- LSS
- Flashing Amber Beacon
- Tie Down Lugs
- Hourmeter
- Horn

Accessories & Options

- AC Outlet to Platform incl ELCB
- Wheel Chocks
- Squawker / White Noise Motion Alarm
- Platform Worklights

LE SERIES

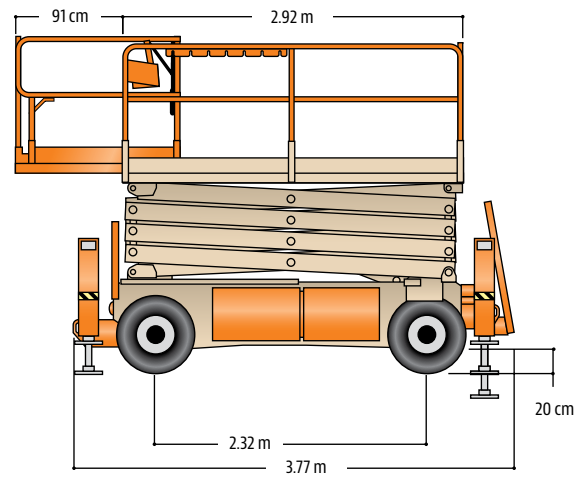
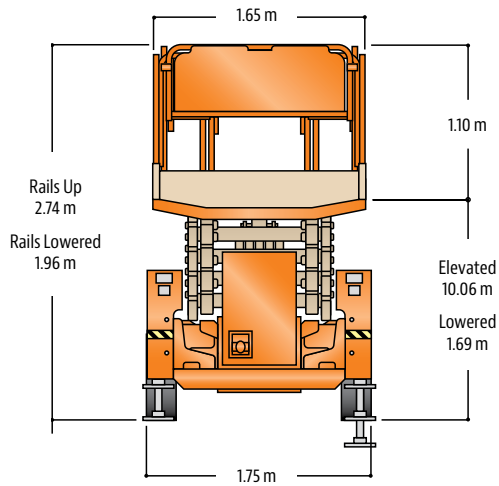
LARGE ELECTRIC SCISSOR LIFTS



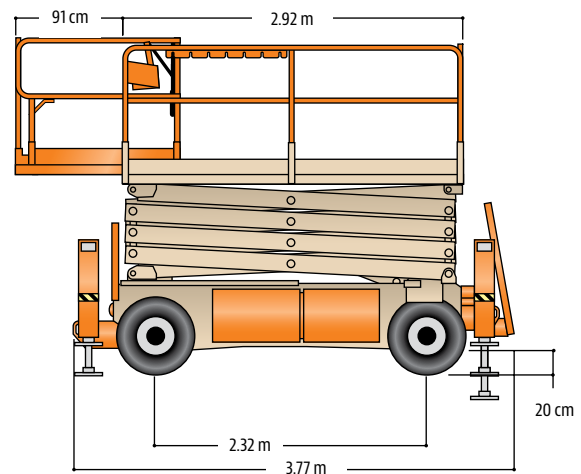
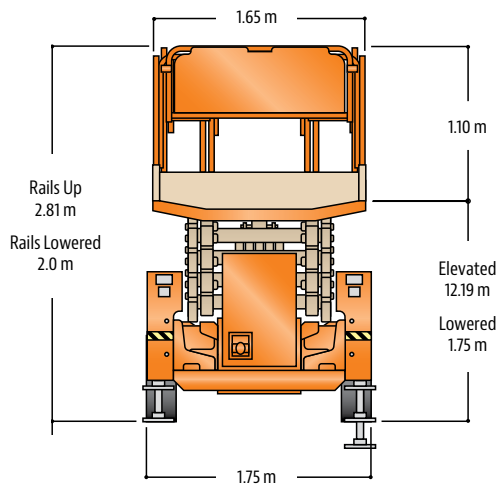
Dimensions

All dimensions are approximate.

3369LE



4069LE



The JLG "1 & 5" Warranty

JLG Industries, Inc. backs its products with its exclusive "1 & 5" Warranty. We provide coverage on all products for one (1) full year and cover all specified major structural components for five (5) years. Due to continuous product improvements, we reserve the right to make specification and/or equipment changes without prior notification. This machine meets or exceeds AS/NZS 1418.10 2011 as originally manufactured for intended applications.



JLG Industries (Australia)

358 Park Road
Regents Park, NSW 2143
Telephone 02 8718 6300
Fax 02 8718 6377
www.jlg.com.au

An Oshkosh Corporation Company